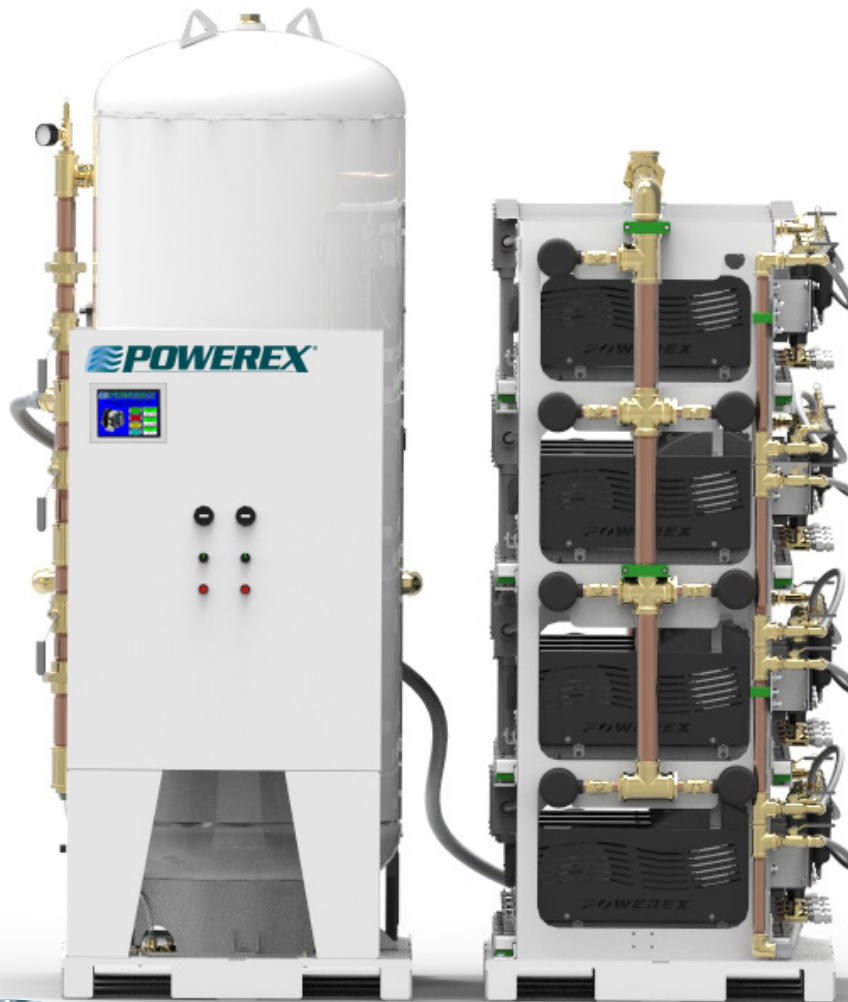
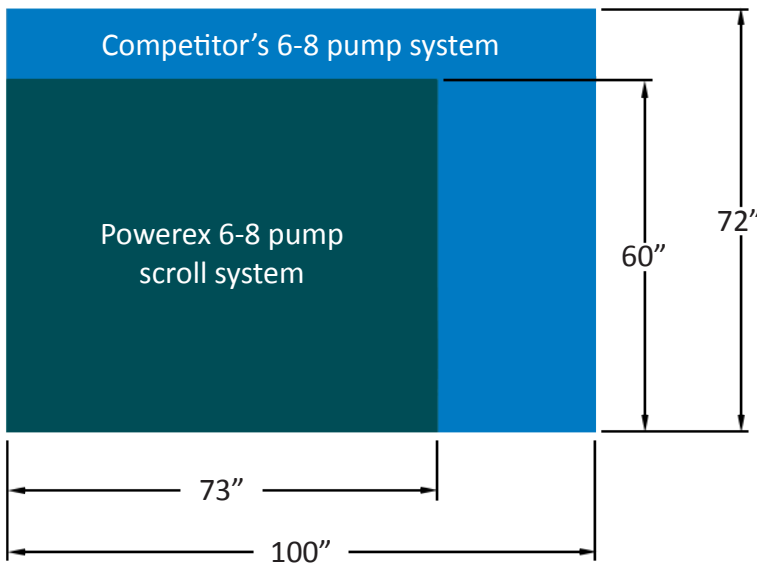


POWEREX[®]



NFPA 99 Medical Air Compressor Systems

Powerex designs and manufactures NFPA 99 medical air systems in the U.S.A.



BEST IN CLASS FOOTPRINT

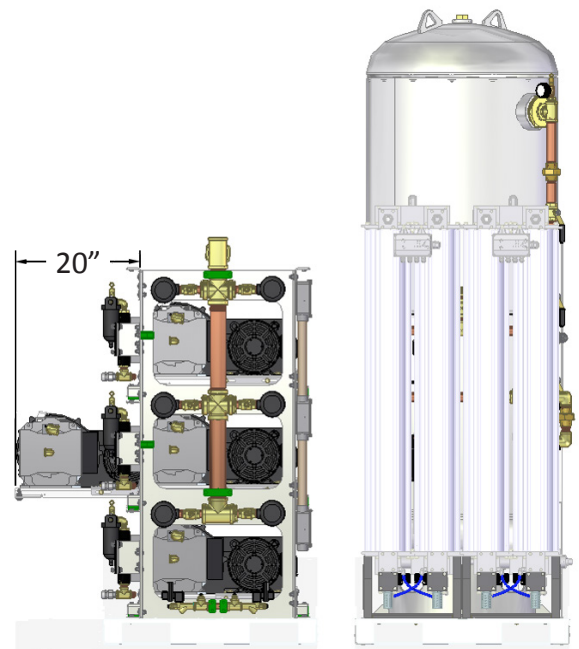
Our newly redesigned and upgraded space-saving scroll compressors feature the smallest available footprint on the market, allowing for flexibility of hospital design and ease of installation.

- Up to 39% less footprint than leading competitor
- Systems designed to fit through 36" door

EASILY SERVICEABLE

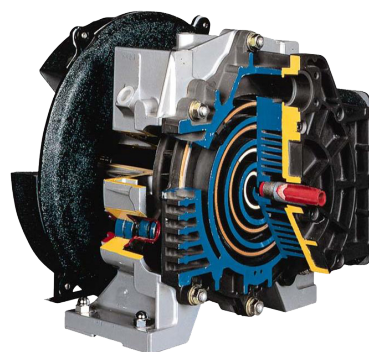
Our compressors are low maintenance, energy efficient, and easily serviceable.

- Patented Service Slide
- Common service items easily accessible
- Basemount extends 20" from rack



SCROLL COMPRESSORS

Our innovative scroll technology is completely oil-less, extremely quiet, and energy efficient. The scroll pump has few moving parts, making it reliable and easier to maintain. The self lubricating tip seals and absence of a gearbox means the pump is 100% oil free.

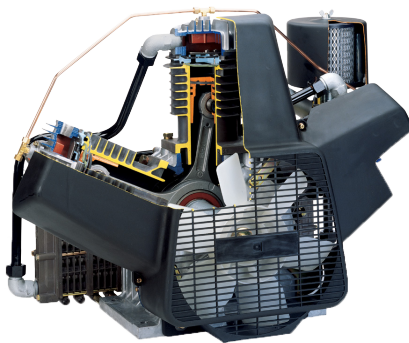


SYSTEMS SPECIFICATIONS

Medical Scroll Multiplex Systems							
Model	SCFM @ 50 PSIG*	HP	Tank (Gal.)	Model	SCFM @ 50 PSIG*	HP	Tank (Gal.)
Duplex Systems				Quadplex Systems			
MTSD0303	9.5	3 (2)	80	MSQ05A4	49.8	5 (4)	120
MTSD0503	16.6	5 (2)	80	MSQ0755	71.4	7.5 (4)	200
MSD02A3	6	2 (2)	80	MSQ10B5	94.8	10 (4)	200
MSD03A3	9.5	3 (2)	80	MSQ10A5/6	99.6	10 (4)	200/240
MSD05A3	16.6	5 (2)	80	MSQ15B5/6	142.8	15 (4)	200/240
MSD0754	23.8	7.5 (2)	120	MSQ15A5/6	149.4	15 (4)	200/240
MSD10B4	31.6	10 (2)	120	MSQ20B5/6	189.6	20 (4)	200/240
MSD10A4/5/6	33.2	10 (2)	120/200/240	Pentaplex Systems			
MSD15B4	47.6	15 (2)	120	MSP15A5/6	199.2	15 (5)	200/240
MSD15A4/5/6	49.8	15 (2)	120/200/240	MSP15B5	190.4	15 (5)	200
MSD2004	63.2	20 (2)	120	Hexaplex Systems			
MSD20B4	63.2	20 (2)	120	MSH05A4/5	83	5 (6)	120/200
Triplex Systems				MSH10B6	158	10 (6)	240
MST03A3	19	3 (3)	80	MSH10A6	166	10 (6)	240
MST05A3/4	33.2	5 (3)	80/120	MSH15A5/6	249	15 (6)	200/240
MST0755	47.6	7.5 (3)	200	Octoplex Systems			
MST10B5	63.2	10 (3)	200	MSO10B6	221.2	10 (8)	240
MST10A4/5	66.4	10 (3)	120/200	Nonaplex Systems			
MST15B5/6	95.2	15 (3)	200/240	MSN05A5	132.8	5 (9)	200
MST15A4/5/6	99.6	15 (3)	120/200/240				
MST20B5/6	126.4	20 (3)	200/240				

RECIPROCATING COMPRESSORS

Our reciprocating piston systems feature self-lubricating composite piston technology which increases ring life and reduces temperature, providing reliability for years to come. The dual cooling pistons reduce operating temperatures, while the corrosion-resistant components and coatings extend ring and valve life.



SYSTEMS SPECIFICATIONS

Medical Reciprocating Skidmount Systems			
Model	SCFM @ 50 PSIG*	HP	Tank (Gal.)
Duplex Package Systems			
MPD0308	11.3	3 (2)	80
MPD0508	18.6	5 (2)	120
MPD0608	21.4	7.5 (2)	120
MPD0758	29.0	7.5 (2)	120
MPD1008	36.2	10 (2)	200
MPD1508	50.9	15 (2)	200
Triplex Package Systems			
MPT0508	37.2	5 (3)	200
MPT0608	42.8	7.5 (3)	200
MPT0758	58.0	7.5 (3)	200
MPT1008	72.4	10 (3)	240
MPT1508	101.8	15 (3)	240
Quadplex Package Systems			
MPQ0508	55.8	5 (4)	240
MPQ0608	64.2	7.5 (4)	240
MPQ0758	87.0	7.5 (4)	240
MPQ1008	108.6	10 (4)	240
MPQ1508	152.7	15 (4)	240

Medical Reciprocating Tankmount Systems			
Model	SCFM @ 50 PSIG*	HP	Tank (Gal.)
Duplex Tankmount Systems			
MTD0103	3.4	1 (2)	80
MTD0203	8.3	2 (2)	80
MTD0303	11.3	3 (2)	80
MTD0304	11.3	3 (2)	120
MTD0504	18.6	5 (2)	120
MTD0505	18.6	5 (2)	200
MTD0756	29.0	7.5 (2)	240
MTD1006	36.2	10 (2)	240
MTD1506	50.9	15 (2)	240

*SCFM @ 50 PSIG is shown with one compressor in reserve per NFPA 99 guidelines

NFPA 99 MEDICAL AIR COMPRESSOR SYSTEMS

All systems are fully compliant with the latest edition of NFPA 99 and are manufactured in ISO 9001:2015 certified facilities.

DESIGN FEATURES

- Multiple compressors
- ASME receiver
- UL508A control panel
- Air purification system
- Carbon monoxide monitor
- Dew point monitor
- All interconnecting piping and wiring
- Vibration isolation pads and flex connectors
- Most of our multiplex scroll packages now OSHPD certified

CONFIGURATION TYPES



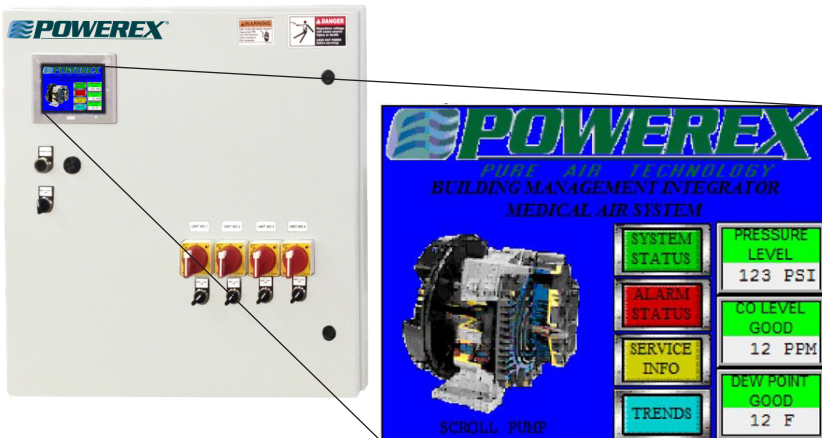
Horizontal Tankmount



Skidmount

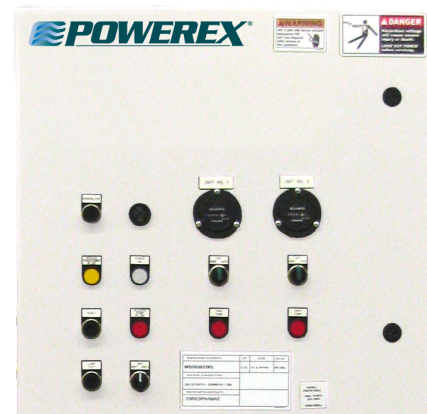
STANDARD PREMIUM CONTROL PANEL

- PLC controller and 6" color HMI (Human Machine Interface) touch screen displays the operating status of the unit
- UL508A listed and labeled, NEMA 4/12 enclosure
- Visual and audible alarms for:
 - System overload trip
 - High temperature conditions
 - Service intervals
 - High dew point and CO levels
- Panel door includes:
 - Visual and audible alarms
 - HOA switch for each pump
 - 3-position dryer switch
- Integrated dew point and carbon monoxide monitors
- Building automation gateway with BacNet® protocol
- Email notifications for alarms and service alerts



OPTIONAL NON-HMI CONTROL PANEL

- UL508A listed and labeled, NEMA 4/12 enclosure
- Timed lead/lag compressor alternation
- Visual and audible reserve compressor in use alarm
- Redundant control circuit transformers
- Dry contacts for remote alarm monitoring
- Each compressor provided with:
 - Hand/Off/Auto selector switch
 - Magnetic starter with 3 leg overload protection
 - Visual and audible high temperature shut down
 - Hour meter.
 - Compressor run light
- Dew point monitor with LCD dew point display
- Carbon monoxide monitor with LCD display of CO concentrations



Powerex manufactures industry-leading comprehensive medical gas systems, from source equipment to pipeline

For more information contact your local Powerex distributor or Powerex sales representative today



The leader in oil-free air technology



POWEREX[®]